



AUTORADIO

191 - Giulietta

RADIO - DESCRIPTION

A HI-FI system is available, on request, with specific high-fidelity speakers, a centerfill in the centre of the dashboard, a subwoofer box in the luggage compartment and a power amplifier.

The system has been developed ad hoc for the vehicle: the acoustic properties of the passenger compartment have been carefully studied so that the amplifier and the speakers are ideally suited to the vehicle: optimum listening is available in any part of the passenger compartment.

Unlike the system fitted as standard, this system offers:

- special speakers at front and rear;
- centerfill speaker in the centre of the dashboard;
- subwoofer box in the luggage compartment;
- power amplifier.

The other components (radio, aerial, etc.) are the same as for the standard system.

On versions with a RADIONAV radio navigation system the radio/Audio CD/CD MP3 player is incorporated in the unit.

For more details,

See descriptions 5580M ON-BOARD NAVIGATOR

In the Start&Stop versions, the radio navigator supply is controlled by a voltage stabiliser, fitted under the dashboard behind the glove compartment. It maintains a constant voltage for devices sensitive to voltage drops during engine start-up.

RADIO - FUNCTIONAL DESCRIPTION

The radio navigator P020 receives a direct supply from the battery (pin 12 of connector A) through the line for fuse F62 of the luggage compartment control unit B045; this line is controlled by the voltage stabiliser M192 - input at pin 8, output from pin 1.

Pin 16 of connector A of P020 and pin 16 of M192 are earthed.

Pins 10 and 13 of connector A are connected to the CAN line by which the radio navigator P020 is connected to Body Computer M001 - pin 25 and 10 of connector H - and to the other system nodes.

The Body Computer M001 is connected to the radio controls on the steering wheel through the clock spring D047: pin 53 of connector H provides the reference earth at pin 6 of D047; pin 51 of connector H of M001 receives the signals from the buttons to the right of the steering wheel, whilst pin 38 of connector H of M001 receives the signals from the buttons to the left of the steering wheel.

The Body Computer M001 - connector A - receives a direct power supply from the battery through the line protected by maxi fuse F01 of the engine compartment junction unit B001.

The Body Computer M001 receives an ignition-operated power supply (INT) at pin 2 of connector G: this signal is used, amongst other things, to "wake up the network".

Pin 11 of connector G of M001 provides the Body Computer with a reference earth.

The amplifier P070 receives a direct supply from the battery - at pin A4 - through the line for fuse F62 of the luggage compartment control unit B045; this line is controlled by the voltage stabiliser M192 - input at pin 8, output from pin 9.

Pin A8 of the amplifier P070 is earthed. Pin C8 of P070 is connected to radio navigator P020 - pin 14 of connector A - which supplies a positive signal to enable the amplifier to be switched on.

The cables with signals for the amplifier P070 (pins 6-14 , 4-12, 5-13 and 15-7) leave connector C of P020.

The cables with signals for the speakers leave amplifier P070;

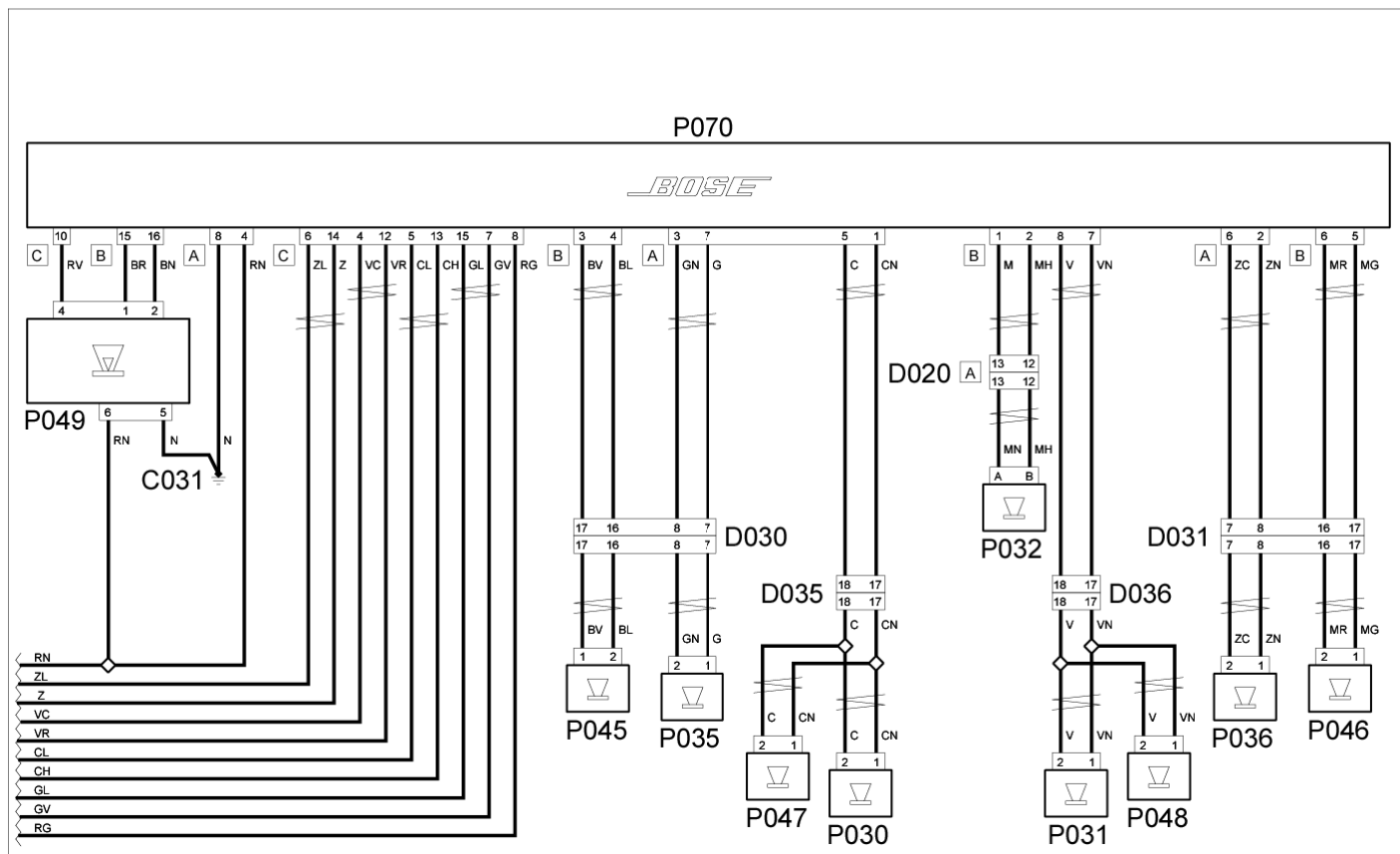
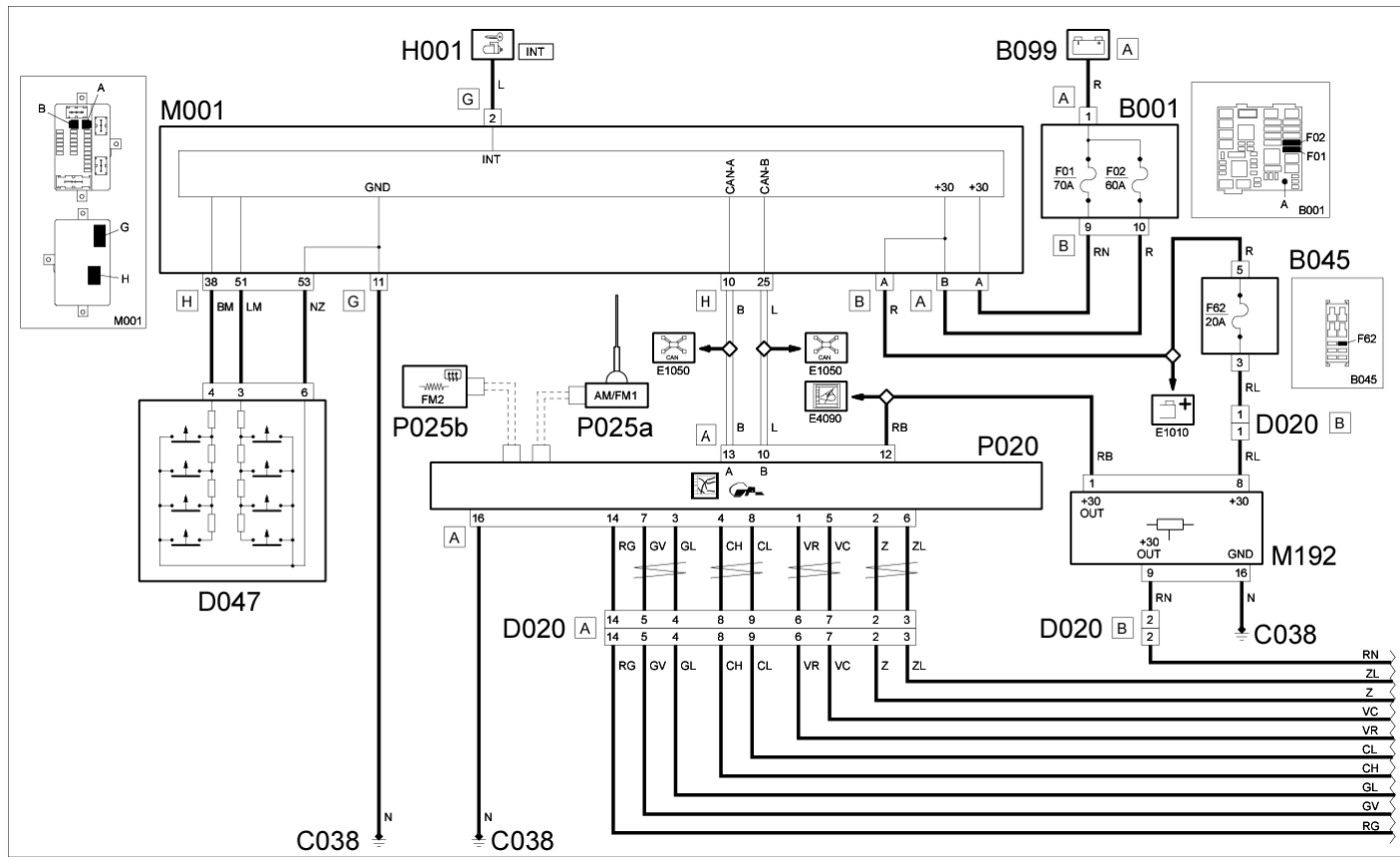
- pins A3 and A7 to the left front speaker P035;
- pins A2 and A6 to the right front speaker P036;
- pins B3 and B4 to the left front tweeter P045;
- pins B5 and B6 to the right front tweeter P046;
- pins A1 and A5 to the left rear speakers P030 and P047;
- pins B7 and B8 to the right rear speakers P031 and P048.

Pins B1 and B2 send the signals for the centerfill P032.

The subwoofer P049 receives a direct supply from the battery - at pin 6 - through the line for fuse F62 of the luggage compartment control unit B045; this line is controlled by the voltage stabiliser N192 - input at pin 8, output from pin 9.

Pin 5 of P409 is earthed, whilst pins 1, 2 and 4 are connected to the amplifier P070.

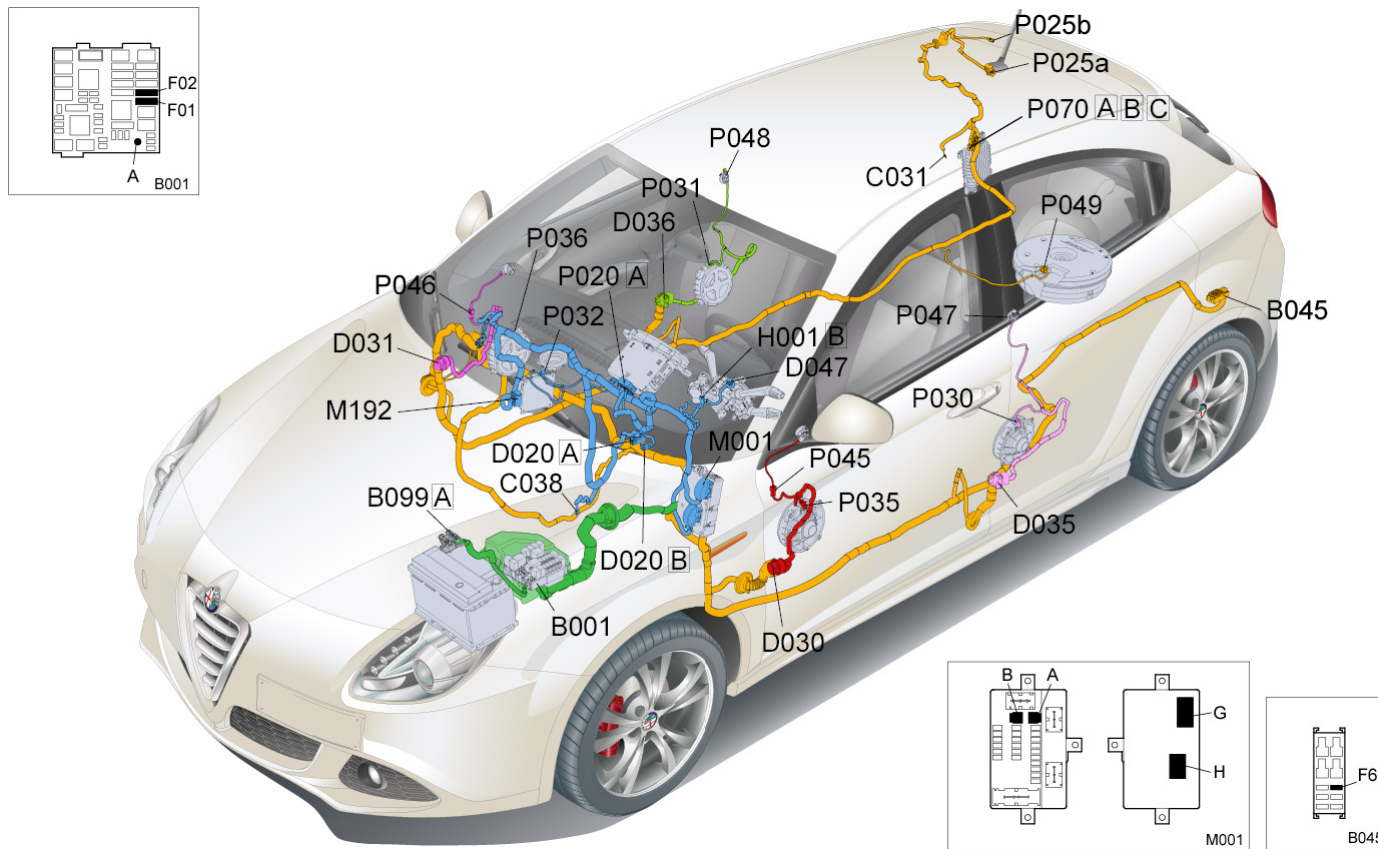
RADIO - WIRING DIAGRAM



Component Code	Description	Reference to the operation
B001	JUNCTION UNIT	Op. 5505A28 CONTAINER FOR ADDITIONAL JUNCTION UNIT IN ENGINE COMPARTMENT - R.R.
B045	LUGGAGE COMPARTMENT JUNCTION UNIT	Op. 5505A14 SUPPLEMENTARY JUNCTION BOX IN LUGGAGE COMPARTMENT - R.R.
B099	MAXI FUSE BOX ON BATTERY	Op. 5530B40 SUPPLY BOX ON BATTERY (LINK BATTERY AND FUSE BOX) - R.R.
C031	RIGHT REAR EARTH	-
C038	EARTH ON CENTRE TUNNEL	-
D020	DASHBOARD/REAR COUPLING	-
D030	LEFT FRONT DOOR COUPLING	-
D031	RIGHT FRONT DOOR COUPLING	-
D035	LEFT REAR DOOR COUPLING	-
D036	RIGHT REAR DOOR COUPLING	-
D047	CLOCK SPRING COUPLING	Op. 5550A10 STALK UNIT ASSEMBLY - R+R
H001	IGNITION SWITCH	Op. 5520A18 IGNITION SWITCH CONTACT CARRIER LOCK BARREL - R.R.
M001	BODY COMPUTER	Op. 5505A35 MAIN BODY COMPUTER/JUNCTION UNIT - R.R.
M192	ALARM CONTROL UNIT	Op. 5520D03 VOLTAGE STABILIZER - R.R.
P020	CAR RADIO	Op. 5580M24 RADIO NAVIGATOR - R.R. Op. 5570T27 AERIAL SUPPORT - R.R.
P025	AERIAL POWER SUPPLY	Op. 5570T28 CONTROL UNIT FOR RADIO AERIAL - R.R.
P030	LEFT REAR SPEAKER	Op. 5580T20 BOSE SOUND SYSTEM REAR SPEAKER (ONE), LH OR RH - R.R.
P031	RIGHT REAR SPEAKER	Op. 5580T20 BOSE SOUND SYSTEM REAR SPEAKER (ONE), LH OR RH - R.R.

P032	CENTRE FRONT SPEAKER	Op. 5580T16 CENTRAL FRONT SPEAKER FOR THE BOSE SOUND DIFFUSION SYSTEM - R.R.
P035	SPEAKER IN FRONT DOOR LEFT	Op. 5580T11 BOSE SOUND SYSTEM FRONT SPEAKER (ONE), LH OR RH - R.R. WITH DOOR PANEL REMOVED
P036	SPEAKER ON PASSENGER FRONT DOOR	Op. 5580T11 BOSE SOUND SYSTEM FRONT SPEAKER (ONE), LH OR RH - R.R. WITH DOOR PANEL REMOVED
P045	DRIVER'S FRONT TWEETER SPEAKER	Op. 5580T14 FRONT TWEETER FOR BOSE SOUND SYSTEM (ONE), LEFT OR RIGHT - R.R.
P046	PASSENGER SIDE FRONT TWEETER SPEAKER	Op. 5580T14 FRONT TWEETER FOR BOSE SOUND SYSTEM (ONE), LEFT OR RIGHT - R.R.
P047	LEFT REAR TWEETER SPEAKER	Op. 5580T15 REAR TWEETER FOR BOSE SOUND SYSTEM (ONE), LEFT OR RIGHT - R.R.
P048	RIGHT REAR TWEETER SPEAKER	Op. 5580T15 REAR TWEETER FOR BOSE SOUND SYSTEM (ONE), LEFT OR RIGHT - R.R.
P049	REAR CENTRE WOOFER SPEAKER	Op. 5580T40 BOSE SOUND SYSTEM SUBWOOFER - R.R.
P070	RADIO HI-FI AMPLIFIER	Op. 5580T42 BOSE SOUND SYSTEM AMPLIFIER - R.R.

RADIO - COMPONENT LOCATION



Component Code	Description	Reference to the operation
B001	JUNCTION UNIT	Op. 5505A28 CONTAINER FOR ADDITIONAL JUNCTION UNIT IN ENGINE COMPARTMENT - R.R.
B045	LUGGAGE COMPARTMENT JUNCTION UNIT	Op. 5505A14 SUPPLEMENTARY JUNCTION BOX IN LUGGAGE COMPARTMENT - R.R
B099	MAXI FUSE BOX ON BATTERY	Op. 5530B40 SUPPLY BOX ON BATTERY (LINK BATTERY AND FUSE BOX) - R R
C031	RIGHT REAR EARTH	-
C038	EARTH ON CENTRE TUNNEL	-
D020	DASHBOARD/REAR COUPLING	-
D030	LEFT FRONT DOOR COUPLING	-
D031	RIGHT FRONT DOOR COUPLING	-
D035	LEFT REAR DOOR COUPLING	-
D036	RIGHT REAR DOOR COUPLING	-
D047	CLOCK SPRING COUPLING	Op. 5550A10 STALK UNIT ASSEMBLY - R+R
H001	IGNITION SWITCH	Op. 5520A18 IGNITION SWITCH CONTACT CARRIER LOCK BARREL - R.R.
M001	BODY COMPUTER	Op. 5505A35 MAIN BODY COMPUTER/JUNCTION UNIT - R.R.
M192	ALARM CONTROL UNIT	Op. 5520D03 VOLTAGE STABILIZER - R.R.
P020	CAR RADIO	Op. 5580M24 RADIO NAVIGATOR - R.R. Op. 5570T27 AERIAL SUPPORT - R.R
P025	AERIAL POWER SUPPLY	Op. 5570T28 CONTROL UNIT FOR RADIO AERIAL - R.R.
P030	LEFT REAR SPEAKER	Op. 5580T20 BOSE SOUND SYSTEM REAR SPEAKER (ONE), LH OR RH - R.R.
P031	RIGHT REAR SPEAKER	Op. 5580T20 BOSE SOUND SYSTEM REAR SPEAKER (ONE), LH OR RH - R.R.
P032	CENTRE FRONT SPEAKER	Op. 5580T16 CENTRAL FRONT SPEAKER FOR THE BOSE SOUND DIFFUSION SYSTEM - R.R.
P035	SPEAKER IN FRONT DOOR LEFT	Op. 5580T11 BOSE SOUND SYSTEM FRONT SPEAKER (ONE), LH OR RH - R.R. WITH DOOR PANEL REMOVED
P036	SPEAKER ON PASSENGER FRONT DOOR	Op. 5580T11 BOSE SOUND SYSTEM FRONT SPEAKER (ONE), LH OR RH - R.R. WITH DOOR PANEL REMOVED
P045	DRIVER'S FRONT TWEETER SPEAKER	Op. 5580T14 FRONT TWEETER FOR BOSE SOUND SYSTEM (ONE), LEFT OR RIGHT - R.R.
P046	PASSENGER SIDE FRONT TWEETER SPEAKER	Op. 5580T14 FRONT TWEETER FOR BOSE SOUND SYSTEM (ONE), LEFT OR RIGHT - R.R.
P047	LEFT REAR TWEETER SPEAKER	Op. 5580T15 REAR TWEETER FOR BOSE SOUND SYSTEM (ONE), LEFT OR RIGHT - R.R.
P048	RIGHT REAR TWEETER SPEAKER	Op. 5580T15 REAR TWEETER FOR BOSE SOUND SYSTEM (ONE), LEFT OR RIGHT - R.R.
P049	REAR CENTRE WOOFER SPEAKER	Op. 5580T40 BOSE SOUND SYSTEM SUBWOOFER - R.R.
P070	RADIO HI-FI AMPLIFIER	Op. 5580T42 BOSE SOUND SYSTEM AMPLIFIER - R.R.